

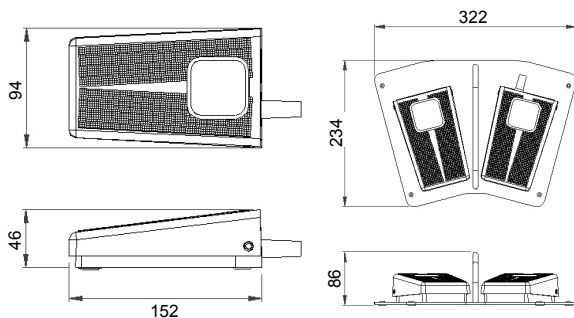
6254 General Industrial Footswitch

herga

Technology Ltd

- Powder coated body/base die cast aluminium, its toughness and modest cost make it ideal for OEM applications
- Optional powder coated mild steel guard
- Pneumatic version available, please refer to Airswitching section for details
- Customer colours and logos available on request
- Ideal for remote switching in harsh environmental conditions where durability is required

Outline dimensions



General specifications

Standards/approvals	footswitch: low voltage directive 2006/95/EC, EN 60950 microswitch: EN 61058-2-1, EN 61058	Operating temperature range	-5°C to +40°C
Degree of protection	EN 60529 IPX2, IPX7 (IPX8 upon request)	Body material	Die cast aluminium
Connection method	Stripped cable cores or connector of your choice	Weight	See table below
Electrical rating	See table below	Additional information	Cordset variations of each standard option are available (6254-DO and DA versions can be built with cordset)
Contact configuration	See table below		

6254 - Range options and specifications

	Stock model				
Model No	6254-CT	6254-CC	6254-DO	6254-DA	6254-WO
Weight approx.	0.475Kg	0.475Kg	0.475Kg	0.525Kg	0.525Kg
Optional black guard	18 SWG mild steel, powder coat				
No. of poles	SPCO	SPCO	DPCO	DPCO staggered	SPST N/O
Cable	Terminal block	3-core + earth	Terminal block	Terminal block	3-core + earth
Cable length as Std	n/a	2m	n/a	n/a	2m
Cable O/D (mm)	n/a	7.5 (nom.)	n/a	n/a	6.8 (nom.)
Current rating @ 250V AC	6(3)A	6 (3)A	6 (3)A	6 (3)A	6 (1.5)A
Internal switch module	IPX2	IPX2	IPX2	IPX2	IPX7