

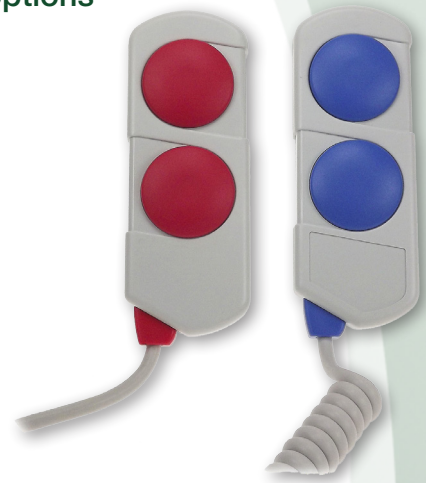
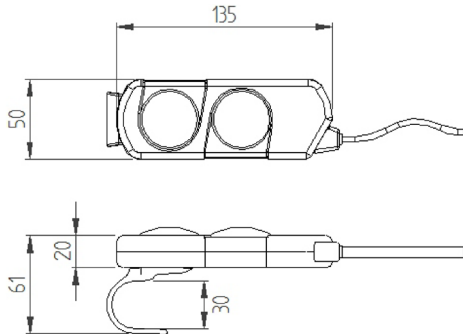
6271 Electric Hand Control

herga

Technology Ltd

- Large soft buttons
- Ergonomic design for comfort
- Light operating force
- Lightweight
- Various colour & ident options
- Waterproof

Outline dimensions



Ordering and options

6271 - [] [] [] [] - [] [Z] [Z] [Z]

Model

Fixtures -

- A No hook fitted
- B Hook fitted
- C Suction cup

Labels -

- A No label fitted
- B Herga label
- C Arrows
- D Bed up/down
- E Head up/down
- F Legs up/down

Buttons* -

- A Grey (plain)
- B Blue (plain)
- C Grey (arrows)
- D Blue (arrows)
- E Grey (+ & -)
- F Blue (+ & -)
- G Grey (waves)
- H Blue (waves)

Cable -

- A Straight 2 metres
- B Curly coil 2.4 metres

Connectors -

- A 8 pin DIN (round)
- B 9 pin Sub-D
- C Free wire ends

* Customised designs are possible

General specifications

Standards/approvals	Low voltage directive 2006/95/EC	Operating temperature range	-5°C to +40°C
Degree of protection	EN 60529 IP67	Body material	Thermoplastic
Connection method	Various connectors or free wire ends	Weight	0.4Kg
Electrical rating	24V 3A	Additional information	Various attachment methods and labels available
Contact configuration	Normally open		
Pressure range	n/a		



Herga Technology Ltd - Northern Way - Bury St. Edmunds - Suffolk - IP32 6NN - UK
 sales@herga.com • www.herga.com • +44 (0)1284 701422

Subject to change without notice