

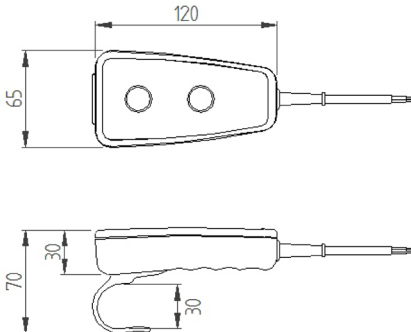
# 6310 Electric Hand Control

# herga

Technology Ltd

- Ergonomic design
- Large buttons for ease of use
- Available in IP54 or IP68 versions
- Switches may be interlocked
- Light weight
- Large robust hook available

## Outline dimensions



## General specifications

Standards/approvals	Low voltage directive 2006/95/EC
Degree of protection	EN 60529 IP54 to IP68
Connection method	Connector of your choice or free wire ends
Electrical rating	1A 24V to 10A 250VAC
Contact configuration	Normally open
Pressure range	n/a

Operating temperature range	-5°C to +40°C
Body material	Thermoplastic
Weight	0.5Kg
Additional information	Custom labelling available for OEM applications

## 2 Button version 6310-8120-3XXX



## 4 Button version 6310-8140-3XXX



## Additional information

- In standard configuration buttons are single pole, normally open contacts
- Max. switch rating - 10 Amps @ 250V AC (resistive)
- xxx is replaced by 3 digits to identify individual specifications, available upon request
- Specification options include wiring configurations, cable lengths, plugs, attachment methods (hooks, suction cups) & IP ratings
- Subject to order quantity, the product can be personalised by including company logos, colours and text on the label