

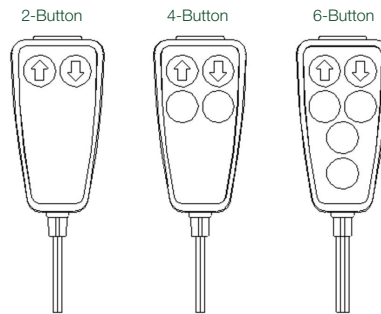
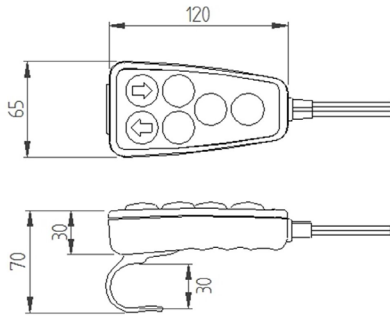
6310 Pneumatic Hand Control

herga

Technology Ltd

- 2,4 & 6 way variants
- Ergonomic design for comfort
- Choice of curly or straight tubing
- Soft touch buttons
- Various colours & layout options
- Suitable for use with 6891 airswitches
- Inherently waterproof

Outline dimensions



General specifications

Standards/approvals	n/a	Operating temperature range	-5°C to +40°C
Degree of protection	n/a	Body material	Thermoplastic
Connection method	1.5mm I/D tube for use with airswitches with 2mm spouts	Weight	0.15Kg
Pressure range	n/a	Additional information	various button colours and designs available, hook optional

Additional information

- Body available in grey or black
- Button colour options
- Choice of curly coil & straight tubing
- Plain or arrow button options
- Connector options