

6438 Mini Push Button

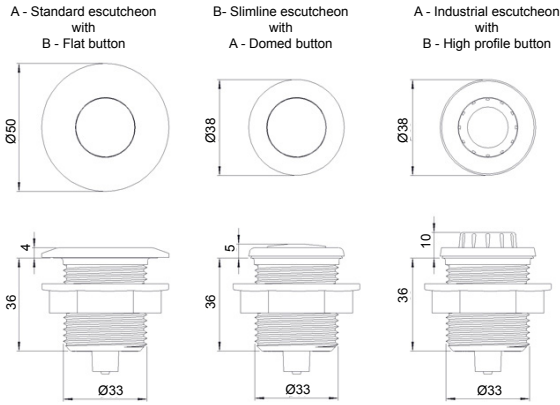
herga

Technology Ltd

- Compact size
- Choice of button/escutcheon materials
- Low profile above surface
- Choice of colours
- Choice of tube options
- Large air volume for longer tube lengths



Outline dimensions



PANEL HOLE MUST NOT EXCEED 35.0 MM DIA. FOR ALL VERSIONS

Ordering and options

Stock models : **6438-ACAC-AB00**
6438-ABAB-AB00

6438 - [] [] [] [] - [] [] [] []

Model

Escutcheon type -

- A Standard
- B Slimline
- C Industrial
- Z No escutcheon required

Escutcheon finish -

- A White
- B Brilliant white
- C Chrome
- D Gold
- F Black
- Z None supplied

Button type -

- A Domed
- B Flat
- C High profile
- Z None supplied

Button finish -

- A White
- B Brilliant white
- C Chrome
- D Gold
- F Black
- Z None supplied

Bellows type & spout diameter

- A Silicone bellows Ø4 mm
- B Silicone bellows Ø2 mm
- C Standard bellows Ø4 mm
- D Standard bellows Ø2 mm

Nut & washer option

- A Supplied with nut & washer
- Z No nut & washer required

General specifications

Standards/approvals	n/a
Degree of protection	EN 60529 IPX4
Connection method	Via back entry spout, Ø4mm or Ø2mm
Electrical rating	n/a
Contact configuration	n/a
Pressure range	Compatible with 6871, 6872, 6773, 6753, 6891, 6893, 6861, 6862, 6863, 6864, 6869 – dependent on tube length

Operating temperature range	-10°C to +40°C
Body material	Thermoplastic
Weight	Plastic – 0.03Kg
Additional information	A longer threaded body version to suit up to 50mm panels is available upon request



Herga Technology Ltd - Northern Way - Bury St. Edmunds - Suffolk - IP32 6NN - UK
sales@herga.com • www.herga.com • +44 (0)1284 701422

Subject to change without notice