

6447 Twin Foot Bellows

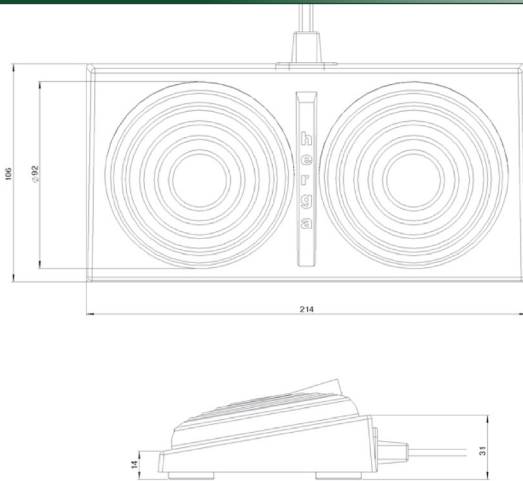
herga

Technology Ltd

- Angled base for ease of use
- Variety of colour options for OEM applications
- Ideal for dirty environments
- Lightweight or heavyweight bases available



Outline dimensions



General specifications

Standards/approvals	N/A
Degree of protection	EN 60529 IPX4
Connection method	Twin tubing 1.5mm I/D
Electrical rating	N/A
Contact configuration	N/A
Pressure range	Works with 6871, 6872, 6773, 6753, 6891, 6893, 6861, 6862, 6863, 6864, 6869 – dependent on tube length

Operating temperature range	-10°C to +40°C
Body material	Thermoplastic
Weight	0.3Kg or 0.6Kg
Additional information	

Ordering and options

6447 - -

Model

Base colour option

- A Grey
- B Black
- C White

Divider colour option

- | | |
|--------------------------------------------|--------------------------------------------|
| A Grey with Herga logo | E White with Herga logo |
| B Grey without Herga logo (plain surface) | F White without Herga logo (plain surface) |
| C Black with Herga logo | |
| D Black without Herga logo (plain surface) | |

Left hand bellows colour

- | | |
|---------|---------|
| A Black | D Red |
| B Grey | E Green |
| C White | |

Right hand bellows colour

- | | |
|---------|---------|
| A Black | D Red |
| B Grey | E Green |
| C White | |

Weight

- A Lightweight (0.3kg)
- B Weighted (0.06kg)

Tube type

- A Grey PU twin tubing, straight, 1.5 mm I/D
- B Grey PU twin tubing, Curly coil, 1.5 mm I/D
- C Coiled length 0.9m, extended 2.4m
(please select option G from tube length section)

Tube length

- | | |
|------|-------------------|
| A 2m | E 6m |
| B 3m | F 10m |
| C 4m | G Curly coil tube |
| D 5m | |

Tube identification

- A Green label in heatshrink at the end of the tubing, identifying left hand bellows
- B No identification provided