

6731/6732 Low Pressure Switch

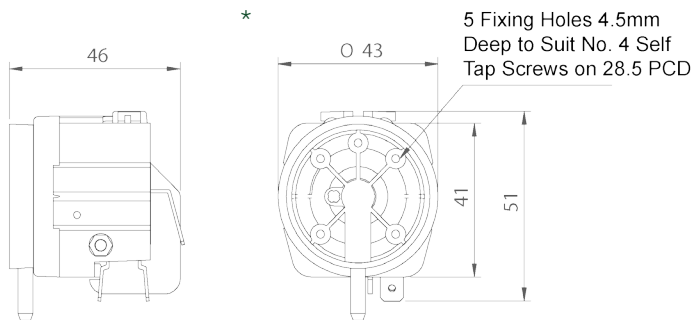
herga

Technology Ltd

- These switches have been designed primarily for the OEM manufacturer who requires high reliability
- UL recognised versions available
- Double pole switching available as a 6732
- Wide choice of microswitch options including tag configurations
- High performance repeatability



Outline dimensions



General specifications

Standards/approvals	UL 508 specific models only
Degree of protection	n/a
Connection method	Back & side entry spout, 4mm dia. or 1/8" BSPT & NPT Brass
Electrical rating	See table below
Contact configuration	See table below

Operating temperature range	-5°C to +70°C
Body material	Thermoplastic
Weight	0.04 kg
Additional information	Setting accuracy $\pm 10\%$ For very low power circuits, gold contact versions are available upon request Alternative diaphragm & spring materials available upon request

Suitability for use with the following media:

Acetone	☑
Ammonia (Liquid)	☑
Amyl Alcohol to 20°C	☑
Automotive Brake Fluid	☑
Beer	☑
Benzyl Alcohol	×
Butane	✓
Carbon Dioxide – Dry	✓
Citric Acid	✓
Copper Sulphate (Sol.)	☑
Compressed Air	✓
Cutting Oil	✓
Diesel Oil	✓
Detergent Solution	✓
Fuel Oil	✓

Glycol	✓
Hydraulic Oil	✓
Hydrogen	✓
Lubricating Oil	✓
Milk	☑
Mineral Oil	✓
Natural Gas	✓
Nitric Acid (Dil.)	×
Oxygen to 70°C	✓
Petrol	☑
Plating Solution (Chrome)	☑
Salt Water	☑
Sewage	✓
Sulphur Dioxide	×
Turpentine	✓
Vinegar	☑
Water	✓

- ✓ = Recommend
- ☑ = Suitable with modification
- × = Not suitable

6731/6732 - Range options and specifications

Model part no.		6731-03	6731-06	6731-10
Pressure Range Min.	mbar	4	12.5	50
Pressure Range Max.	mbar	18	62	1137
Body withstand pressure	mbar	1,725		
Connecting tube reference		2311-01 / 2311-08 to suit Ø4 mm spout		
Diaphragm		Neoprene		
Mechanical life	Cycles	2 x 10 ⁶	2 x 10 ⁶	1 x 10 ⁶
Spring		Spring steel		

Electrical data

Model		6731-03	6731-06	6731-10					
Contact configuration		SPCO							
Contact plating		Silver							
Electical life	Cycles	2 x 10 ⁵ @ 1A	2 x 10 ⁵ @ 6A, 5 x 10 ⁴ @ 10A	2 x 10 ⁵ @ 10A, 1 x 10 ⁴ @ 21A					
Electrical rating		Maximum electrical load							
	Voltage (V)	Resistive (A)	Inductive (A)	Resistive (A)	Inductive (A)	Motor (P10.75)	Resistive (A)	Inductive (A)	Motor (P10.75)
AC	125	3	1	10	3	0.5HP	21	15	1HP
AC	250	3	1	10	3	0.5HP	21	15	2HP
DC	6	3	1	10	3		21	21	
DC	12	3	1	5	3		05	15	
DC	24	1	0.5	5	3		8	7	
DC	60	1	0.5	1	0.5		1	0.5	
DC	110	0.5	0.2	0.5	0.2		0.5	0.2	
DC	220	0.5	0.1	0.25	0.1		0.25	0.1	

6731/6732: Mounting plate details

