

6224 Leptron Foot/Palm Switches

herga

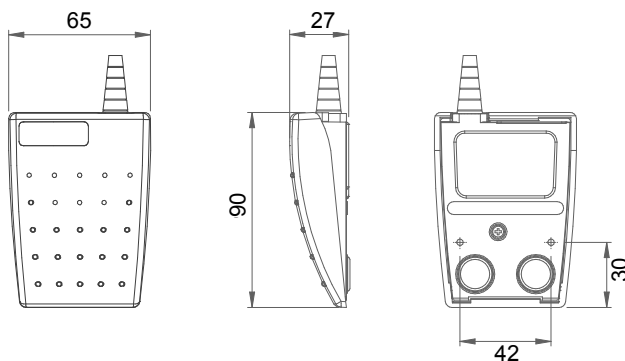
Technology Ltd

For IPX7 / IPX8 UL Approved / IEC 60601-1

- Low profile switch designed for improved user comfort
- All plastic construction with raised tread pattern, ideal for palm or foot operation
- Versatility and innovative design make it an ideal product for OEM use
- Switches designed to meet medical, industrial/office/commercial standards
- Option for customers to fit own cables



Reference dimensions



General specifications

Standards/approvals UL file reference E353500
ANSI/AAI ES60601-1, A1:2012, C1:2009/(R) 2012 and A2:2010 (R) 2012
CSA CAN/CSA-C22.2 No 60601-1-14
IEC 60601-1 Ed 3.1 (2012)
EN 60601-1:2006 & A1:2013 & A12:2014
BS EN 62368-1:2014 & A11:2017

Degree of protection EN 60529 IPX7 (IPX8 upon request)

Connection method Stripped cable cores or connector of your choice

Electrical rating See table page 2

Contact configuration SPST N/O, SPST N/C, SPCO

Operating temperature range -5°C to +40°C

Body material Thermoplastic

Weight 0.212Kg (including cable)

Additional information Customized versions available (logos, cordsets, colours, guards)



