

# 6731/6732 Low Pressure Switch

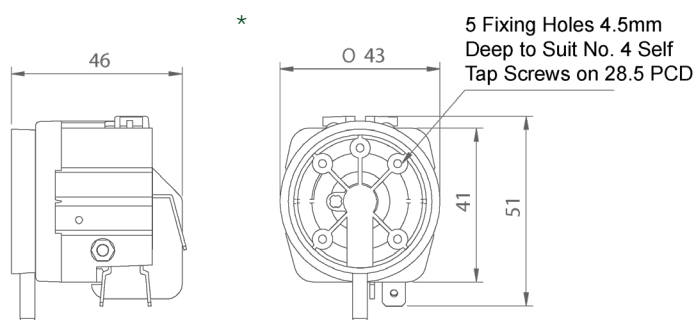


Technology Ltd

- These switches have been designed primarily for the OEM manufacturer who requires high reliability
- UL recognised versions available
- Double pole switching available as a 6732
- Wide choice of microswitch options including tag configurations
- High performance repeatability



## Reference dimensions



## General specifications

<b>Standards/approvals</b>	UL 508 specific models only	<b>Operating temperature range</b>	-5°C to +70°C
<b>Degree of protection</b>	n/a	<b>Body material</b>	Thermoplastic
<b>Connection method</b>	Back & side entry spout, 4mm dia. or 1/8" BSPT & NPT Brass	<b>Weight</b>	0.04 kg
<b>Electrical rating</b>	See table below	<b>Additional information</b>	Setting accuracy ±10% For very low power circuits, gold contact versions are available upon request Alternative diaphragm & spring materials available upon request
<b>Contact configuration</b>	See table below		

## Suitability for use with the following media:

Acetone	☑	Glycol	✓
Ammonia (Liquid)	☑	Hydraulic Oil	✓
Amyl Alcohol to 20°C	☑	Hydrogen	✓
Automotive Brake Fluid	☑	Lubricating Oil	✓
Beer	☑	Milk	☑
Benzyl Alcohol	x	Mineral Oil	✓
Butane	✓	Natural Gas	✓
Carbon Dioxide – Dry	✓	Nitric Acid (Dil.)	x
Citric Acid	✓	Oxygen to 70°C	✓
Copper Sulphate (Sol.)	☑	Petrol	☑
Compressed Air	✓	Plating Solution (Chrome)	☑
Cutting Oil	✓	Salt Water	☑
Diesel Oil	✓	Sewage	✓
Detergent Solution	✓	Sulphur Dioxide	x
Fuel Oil	✓	Turpentine	✓
		Vinegar	☑
		Water	✓

- ✓ = Recommend
- ☑ = Suitable with modification
- x = Not suitable



## 6731/6732 - Range options and specifications

Model part no.		6731-03	6731-06	6731-10
Pressure Range Min.	mbar	4	12.5	50
Pressure Range Max.	mbar	18	62	137
Body withstand pressure	mbar	2550		
Connecting tube reference		2311-01 / 2311-08 to suit Ø4 mm spout		
Diaphragm		Neoprene		
Mechanical life	Cycles	2 x 10 <sup>6</sup>	2 x 10 <sup>6</sup>	1 x 10 <sup>6</sup>
Spring		Spring steel		

## Electrical data

Model		6731-03	6731-06	6731-10					
Contact configuration		SPCO							
Contact plating		Silver							
Electical life	Cycles	2 x 10 <sup>5</sup> @ 1A	2 x 10 <sup>5</sup> @ 6A, 5 x 10 <sup>4</sup> @ 10A	2 x 10 <sup>5</sup> @ 10A, 1 x 10 <sup>4</sup> @ 21A					
Electrical rating		Maximum electrical load							
	Voltage (V)	Resistive (A)	Inductive (A)	Resistive (A)	Inductive (A)	Motor (Pf0.75)	Resistive (A)	Inductive (A)	Motor (Pf0.75)
AC	125	3	1	10	3	0.5HP	21	15	1HP
AC	250	3	1	10	3	0.5HP	21	15	2HP
DC	6	3	1	10	3		21	21	
DC	12	3	1	5	3		15	15	
DC	24	1	0.5	5	3		8	7	
DC	60	1	0.5	1	0.5		1	0.5	
DC	110	0.5	0.2	0.5	0.2		0.5	0.2	
DC	220	0.25	0.1	0.25	0.1		0.25	0.1	

