

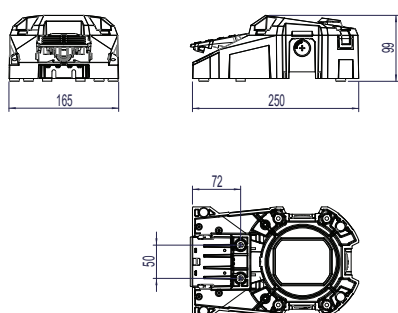
# 6256 Heavy Duty Footswitch

- Sturdy & durable industrial footswitch
- Unique functional design aesthetic
- Optional guard accomodates safety shoe use
- Infinite multiplication of footswitches due to original modular design
- Adaptable range of accessories
- Waterproof to IP67 (EN 60529)
- DA button<sup>1</sup> on request

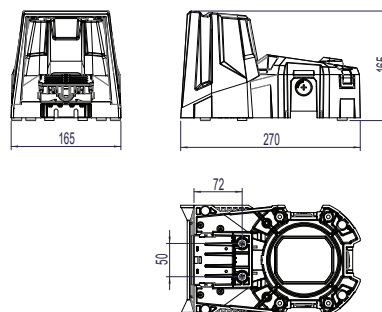


## Reference dimensions

### Unguarded



### Guarded



## General specifications

<sup>1</sup>The DA button is a pressure point that adds a mechanical resistance in the actuation path of the pedal. This gives the user an additional physical signal about the actuation position (tactile feedback). The pressure point is used with applications that require two switching systems with different settings (2-stage switching).

Standards/Approvals	CE, UL 60947-1 & 60947-5-1, CSA C22.2 60947-1 & 60947-5-1, UL file number E501802*	Body material	Thermoplastic, Injection moulded ABS (High Impact), self extinguishing UL 94-V0
Degree of protection	EN 60529 IPX2, optional IP67 with seal kit 6050-5500-0138 or adequate components	Cover material	Thermoplastic (ABS), self extinguishing UL 94-V0
Connection method	Internal terminal block / cable with free wire ends. As standard, cable exit is from the rear	Guard stability	Drop weight: 20 kg at 1 m
Electrical Rating	See ordering & options	Weight	Unguarded 0.9 kg, guarded 1.2 kg
Contact Configuration	See ordering & options	Life expectancy	Mechanical: 2 Mio cycles Electrical: 10 Mio cycles
Operating temperature range	-20° C to +60° C (with UL certification)	Additional information	Through hole consideration on the base for securing to the floor 3 x M20 x 1.5 conduit entry, Ø cable diameter 6-13mm

\* depending on configuration & accessories chosen, footswitch might not have UL certification

## Switch specifications

Rated operating voltage	250V AC	Short Circuit Current	1kA
Rated insulation voltage	500Vac 600Vdc (300V UL Rating)	Direct opening action	acc. to IEC/EN 60947-5-1
Conventional thermal current	25A 10A with UL certification	Short-circuit protective device	Fuse 10A aM
Utilization category	Alternate current: AC15 (50-60 Hz) Operating voltage: U <sub>e</sub> (V) 250 400 500 Operating current: I <sub>a</sub> (A) 6 4 1	Contact gap	>3 mm. Suitable for mains isolation
		Terminals	Screw connection terminals & self lifting clamp for connection of flexible leads min: 1 x 0.5mm <sup>2</sup> max: 2 x 2.5mm <sup>2</sup>

# 6256 Heavy Duty Footswitch



Technology Ltd

Code structure - please contact Herga Sales to discuss product availability before ordering

Stock models : SK-6256 - AAAZ - ZZZZ  
SK-6256 - BAAZ - ZZZZ

Article Options  
6256 - X X X Z - Z Z Z Z

<b>Model (UL)</b>	<b>Bluetooth</b>
<b>Footswitch safety</b>	Z No Bluetooth (UL)
A Unguarded (UL)	A Bluetooth BLE2 - <i>under review</i>
B Guarded (UL)	<b>Cover</b>
<b>Electrical</b>	Z Standard cover (UL)
A Slow break & make; AC-15 6A 250V / DC-12 6A 24V (UL)	A Pole with ball handle <i>(recommended to use with base plate if stand alone - see accessories)</i>
B Snap break & make; AC-15 6A 250V / DC-12 6A 24V (UL)	B Emergency stop on cover
C 5k Ohm potentiometer + snap action microswitches <i>(must use switching option "G")</i>	C Pole with emergency stop <i>(recommended to use with base plate if stand alone - see accessories)</i>
D 10k Ohm potentiometer + snap action microswitches <i>(must use switching option "G")</i>	<b>Pedal</b>
F High power rating (25A 125/250V AC. 1HP 125/250V AC) <i>(must use switching option "H")</i>	Z No option - standard pedal (UL)
<b>Switching operation</b>	A Pedal lock
A 1 NO + 1 NC (UL)	<b>Release</b>
B 2 NO + 2 NC	Z No manual release or DA button (UL)
C 2 NO + 2 NC - staggered	A Manual release
D 2x (1 NO + 1 NC)	B DA button (~200N)
E 4x (1 NO + 1 NC)	C Manual release and DA button (~200N)
F 4x (1 NO + 1 NC)- staggered	
G Potentiometer - double pole change over contacts <i>(must use "Electrical option - C/D")</i>	
H Double pole change over contacts, 2 switches, high power <i>(must use "Electrical option - F")</i>	
<b>Cable options</b>	
Z no cable (* cable kits under accessories) (UL)	

## Contact configuration



### Slow Break & Make Switch Options

6256-XAAZ-ZZZZ	6256-XABZ-ZZZZ	6256-XACZ-ZZZZ

### Snap Action Switch Options

6256-XBAX-ZZZZ	6256-XBBX-ZZZZ	6256-XBCX-ZZZZ
6256-XBDX-ZZZZ	6256-XBEX-ZZZZ	6256-XBFX-ZZZZ



Herga Technology Ltd - Northern Way - Bury St. Edmunds - Suffolk - IP32 6NN - UK  
sales@herga.com • www.herga.com • +44 (0)1284 701422

Subject to change without notice