



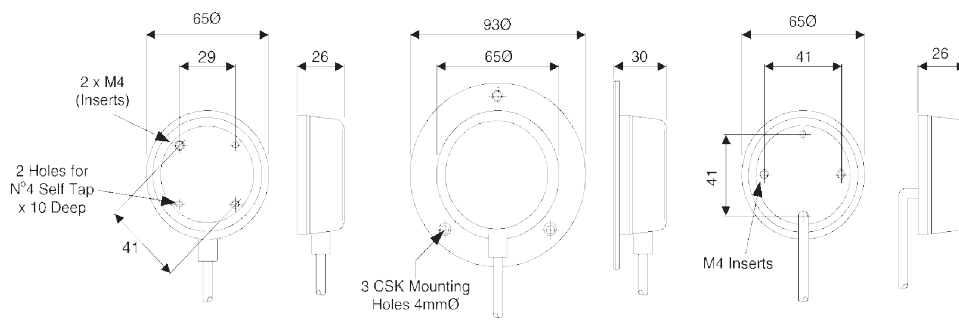
- ▶ **Ideal for hand or foot operation**
- ▶ **Large air volume for ease of operation**
- ▶ **Choice of colours**
- ▶ **Available with plastic base plate for added stability or permanent fixing**
- ▶ **Side or base entry tube outlet**

Specifications	
Standards/approvals	n/a
Connection method	Tubing 3 mm I/D or 1.5mm I/D (back entry only)
Pressure range	Works with 6871, 6872, 6773, 6753, 6891, 6893, 6861, 6862, 6863, 6864, 6869 – dependent on tube length
Operating temperature range	-10°C to +40°C
Body material	Thermoplastic
Weight	0.08 kg

Note: Recommended depression time is 30 seconds, for applications requiring a greater period please contact sales to discuss further.



Dimensions





Ordering information

(Please use the characters in the chart below to create your product code)

Sample Code 643 1 - A B C D - 0000

Tube entry

- 1 Side entry tube

- 9 Back entry tube

Colour option

- A Black

- B Grey

- C White

- D Red

- F Green

Tube type

- A Black tubing with 3mm I/D and 6mm O/D

- B Clear tubing with 3mm I/D and 6mm O/D

- C Black tubing with 1.5mm I/D and 3mm O/D

- D Black curly coil with 1.5mm I/D and 3mm O/D (please select option G from tube length section)

- Z No tube required

If you require a customized solution for your program contact our sales team.



Ordering information

(Please use the characters in the chart below to create your product code)

Sample Code 643 1 - A B C D - 0000

Tube length	
A	1.5m
B	2m
C	3m
D	4m
E	5m
F	6m
G	Curly coil tube (2.4 metre ext.)
Z	None supplied

Mounting option	
C	No mounting plate but with M4 inserts fitted
D	Grey plastic plate with mounting holes
E	Grey plastic plate without mounting holes
F	Black plastic plate with mounting holes
G	Black plastic plate without mounting holes
H	Chrome plastic plate with mounting holes
J	Chrome plastic plate without mounting holes
Z	No mounting plate & no inserts required

Stock model: 6431-AABC-0000
 6439-AZZC-0000

If you require a customized solution for your program contact our sales team.