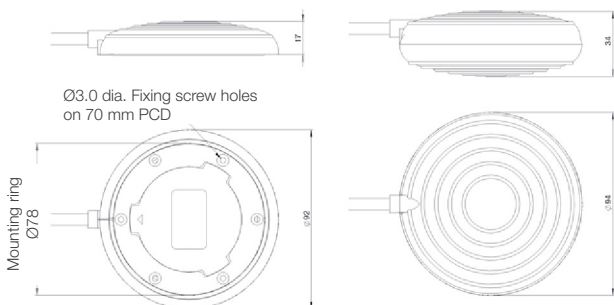




Specifications	
Standards/approvals	n/a
Connection method	Tubing 3mm I/D or 1.5mm I/D (back entry only)
Operating temperature range	-10°C to +40°C
Body material	Thermoplastic
Weight	0.1kg

Recommended depression time is 30 seconds, for applications requiring a greater period please contact sales to discuss further.

**Dimensions**



Note: To remove mounting ring from bellows as supplied, insert a 3 mm dia. bar in one of the holes & twist anti-clockwise through 41°. Mounting ring can be used as a template for drilling/tapping holes in mounting face.



## Ordering information

(Please use the characters in the chart below to create your product code)

**Sample Code**      6448   -   A   B   C   D   -   0000

### Tube entry

A	Side tube entry, flat base with mounting ring
B	Side tube entry, flat base without mounting ring
C	Back entry spout, flat base with mounting ring
D	Back entry spout, flat base without mounting ring
E	Side tube entry, flexible (double volume)

### Colour option

A	Black
B	Grey
C	White
D	Red
F	Green

### Tube type

A	Black tubing with 3mm I/D and 6mm O/D
B	Clear tubing with 3mm I/D and 6mm O/D
C	Black tubing with 1.5mm I/D and 3mm O/D
Z	None required

### Tube length

A	1.5m
B	2m
C	3m
D	4m
E	5m
F	6m
G	Curly coil tube (2.4M ext.)
Z	None supplied

Note:  
To remove mounting ring from bellows as supplied, insert a 3.0mm bar in one of the holes and twist anti-clockwise through 41°. Mounting ring can be used as a template for drilling/tapping holes in mounting face.

**Stock models:**    **6448-AAAB-0000**  
                          **6448-AAAC-0000**

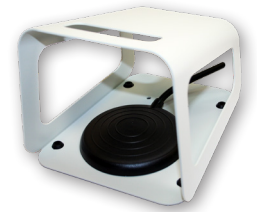
**If you require a customized solution for your program contact our sales team.**



## Ordering information

### Accessories

Part Number	Description
6202-0008	Single Black RAL 9005 guard for 6448
6202-0009	Single Grey RAL 7035 guard for 6448



If you require a customized solution for your program contact our sales team.